

# Bourdon Tube Pressure Gauges

## Large Diameter Industrial Gauge, "Boiler Gauge"

### Type 211.11 - Brass Wetted Parts

### Type 231.11 - 316L SS Wetted parts

WIKA Datasheet 2X1.11

#### Applications

- For plants and equipment where measured values must be read from a distance
- Suitable for gaseous or liquid media that will not obstruct the pressure system
- Referred to as "Boiler Gauge" in the industry

#### Product features

- Large diameter for easy reading
- Brass or 316L SS wetted parts
- Pressure ranges up to 15,000 psi (1000 bar)

#### Specifications

##### Design

ASME B40.100 & EN 837-1

##### Sizes

10" (250 mm)

##### Accuracy class

± 1% of span (ASME B40.100 Grade 1A)

##### Ranges

Vacuum / Compound to 200 psi (16 bar)  
Pressure from 15 psi (1 bar) to 15,000 psi (1000 bar)  
or other equivalent units of pressure or vacuum

##### Working pressure

Steady: full scale value  
Fluctuating: 0.9 x full scale value  
Short time: 1.3 x full scale value

##### Operating temperature

Ambient: -40°F to +140°F (-40°C to +60°C)  
Medium: max. +180°F (+80°C) - Type 211.11  
max. +392°F (+200°C) - Type 231.11

##### Temperature error

Additional error when temperature changes from reference temperature of 68°F (20°C) ±0.4% of span for every 18°F (10°K) rising or falling.



Bourdon Tube Pressure Gauge Model 211.11

##### Weather protection

Weather resistant (NEMA 3 / IP 54)

##### Pressure connection

Material: copper alloy - Type 211.11  
316L stainless steel - Type 231.11  
Lower mount (LM) or lower back mount (LBM)  
1/2" NPT

##### Bourdon tube

Material: copper alloy - Type 211.11  
≤ 1,000 PSI: C-type, copper alloy - silver soldered  
≥ 1,500 PSI: helical type, 316L SS - brazed

Material: 316L stainless steel - Type 231.11  
≤ 1,000 PSI: C-type, 316L SS  
≥ 1,500 PSI: helical type, 316L SS

##### Movement

Copper alloy

##### Dial

White aluminum with black lettering

##### Pointer

Black aluminum

**Case**

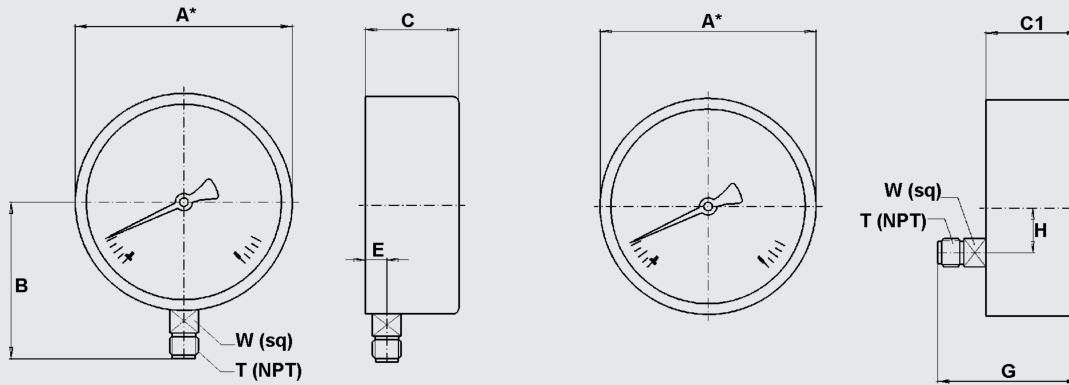
Black-painted steel with matching friction fit bezel ring

**Window**

Flat instrument glass

**Optional extras**

- Brass or SS restrictor
- Black-painted steel front or rear flange
- Stainless steel front or rear flange
- Laminated safety glass or acrylic window
- Stainless steel movement
- Red drag pointer or mark pointer
- Special connections limited to wrench flat area
- Custom dial layout
- Other pressure scales available  
bar, kPa, MPa, kg/cm<sup>2</sup> and dual scales

**Dimensions**

Size		A	B	C	C1	E	G	H	T	W	Weight
10"	mm	250	165	51.5	51.5	17	83.5	50		22	
	in	9.84	6.5	2.03	2.03	0.67	3.29	1.97	1/2"	0.87	6.6 lb.

**Ordering information**

Pressure gauge model / Nominal size / Scale range / Size of connection / Optional extras required  
 Specifications and dimensions given in this leaflet represent the state of engineering at the time of printing.  
 Modifications may take place and materials specified may be replaced by others without prior notice.

**WIKAL Instrument Corporation**

1000 Wiegand Boulevard

Lawrenceville, GA 30045

Tel (770) 513-8200 Toll-free 1-888-WIKA-USA

Fax (770) 338-5118

E-Mail info@wika.com

www.wika.com